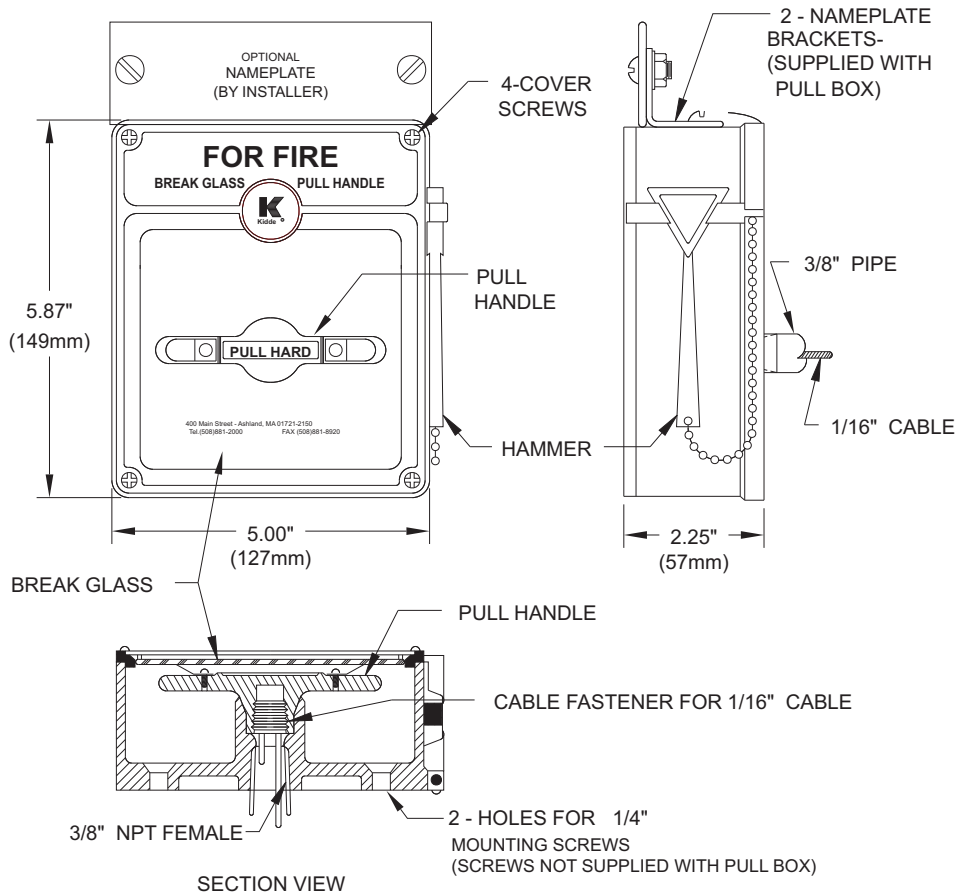


Pull Box, Break Glass

FEATURES

- For Approvals, see the "Compatibility" table on page 2.

P/N: 81-871403-000



MATERIALS:

- Body: Aluminum
- Handle: Brass

ORDERING INFORMATION

Description	Part Number
Pull Box, Break Glass	81-871403-000
Spare Parts	
Replacement Handle & Cable Fastener, Pull Box 81-871403-000 and 81-870087-000	WK-802394-000
Replacement Hammer & Chain, Pull Box 81-871403-000	WK-800450-000
Replacement Glass, Pull Box 81-871403-000	WK-928103-000
Cable Fastener, Pull Box 81-871403-000, 81-870087-000 & 81-840098-000	WK-934617-000

COMPATIBILITY

Series	DIOM P/N	Approvals
Kidde Fire Systems ECS-500™ System	06-237585-001	UL, ULC, FM
Kidde Fire Systems ADS™ for use with Fluoroketone Fire Suppression Agents	06-237256-001	UL, ULC, FM
Kidde Fire Systems ADS™ with HFC-227ea Agent	06-236068-001	UL, ULC, FM
Kidde Fire Systems ECS™ 360 for use with Fluoroketone Fire Suppression Agents	06-236553-001	UL, ULC, FM
Kidde Fire Systems ECS™ 360 with HFC-227ea Agent	06-236115-001	UL, ULC, FM

EXPORT INFORMATION (USA)

Jurisdiction: EAR

Classification: EAR99

This document contains technical data subject to the EAR.

All trademarks are property of their respective owners.

This literature is provided for informational purposes only. KIDDE-FENWAL, INC. believes this data to be accurate, but it is published and presented without any guarantee or warranty whatsoever. KIDDE-FENWAL, INC. assumes no responsibility for the product's suitability for a particular application. Product features specified are only applicable when the fire suppression system is correctly designed, installed, maintained and serviced by trained, authorized Kidde Fire Systems distributors as per the applicable design, installation, operation, and maintenance manuals. If you need more information on this product, or if you have a particular problem or question, contact: KIDDE-FENWAL, INC., Ashland, MA 01721 USA, Telephone: (508) 881-2000.